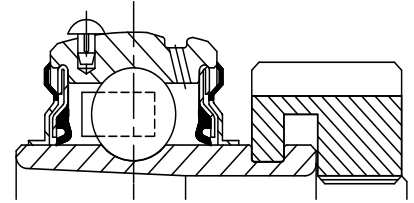


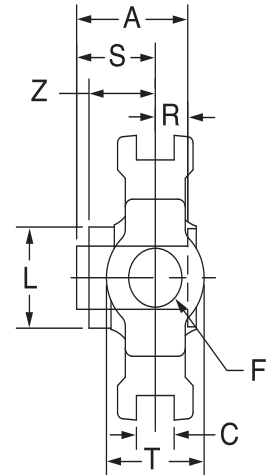
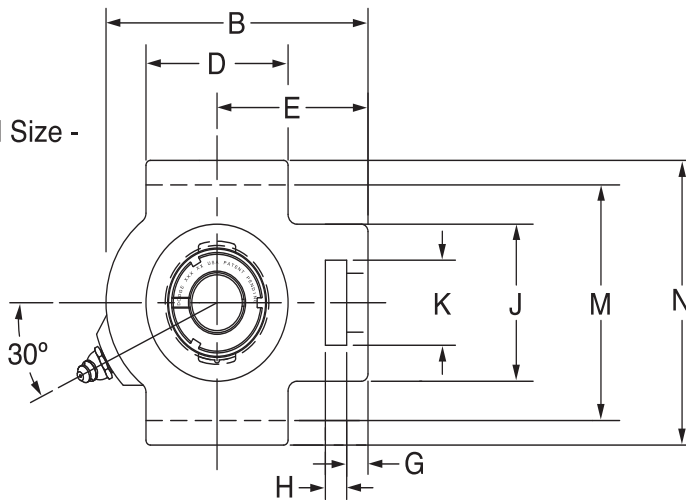


# SELECTION/DIMENSIONS

## GRIP TIGHT Adapter Ball Bearings GT NORMAL DUTY WIDE SLOT TAKE-UP BEARINGS



Lube Fitting Thread Size -  
1/8 - 27 NPT



Series	Shaft Size	Complete Unit		Unit without Adapter Sleeve & Lock Nut		Adapter Sleeve & Lock Nut Assembly	
		Part No.	Description	Part No.	Description	Part No.	Description
204	3/4	<b>136130</b>	WSTU-GT-012	<b>136219</b>	WSTU-GT-04	<b>136522</b>	AN-GT-04-012-D
	20mm	<b>136247</b>	WSTU-GT-20M			<b>136553</b>	AN-GT-04-20M-D
205	7/8	<b>136131</b>	WSTU-GT-014	<b>136220</b>	WSTU-GT-05	<b>136590</b>	AN-GT-05-014-D
	15/16	<b>136132</b>	WSTU-GT-015			<b>136523</b>	AN-GT-05-015-D
	1	<b>136133</b>	WSTU-GT-100			<b>136524</b>	AN-GT-05-100-D
	25mm	<b>136248</b>	WSTU-GT-25M			<b>136554</b>	AN-GT-05-25M-D
206	1-1/8	<b>136134</b>	WSTU-GT-102	<b>136221</b>	WSTU-GT-06	<b>136525</b>	AN-GT-06-102-D
	1-3/16	<b>136135</b>	WSTU-GT-103			<b>136526</b>	AN-GT-06-103-D
	1-1/4	<b>136136</b>	WSTU-GT-104S			<b>136527</b>	AN-GT-06-104S-D
	30mm	<b>136249</b>	WSTU-GT-30M			<b>136555</b>	AN-GT-06-30M-D
207	1-1/4	<b>136137</b>	WSTU-GT-104	<b>136222</b>	WSTU-GT-07	<b>136528</b>	AN-GT-07-104-D
	1-3/8	<b>136138</b>	WSTU-GT-106			<b>136591</b>	AN-GT-07-106-D
	1-7/16	<b>136139</b>	WSTU-GT-107			<b>136529</b>	AN-GT-07-107-D
	35mm	<b>136250</b>	WSTU-GT-35M			<b>136556</b>	AN-GT-07-35M-D
208	1-1/2	<b>136140</b>	WSTU-GT-108	<b>136223</b>	WSTU-GT-08	<b>136530</b>	AN-GT-08-108-D
	1-5/8	<b>136141</b>	WSTU-GT-110			<b>136592</b>	AN-GT-08-110-D
	40mm	<b>136251</b>	WSTU-GT-40M			<b>136593</b>	AN-GT-08-40M-D

@ Assembled to order

FEATURES/BENEFITS PAGE B5-2	HOW TO ORDER/NOMENCLATURE PAGE B5-4	SELECTION PAGE B5-5	RELATED PRODUCTS PAGE B5-70
--------------------------------	--	------------------------	--------------------------------

Bearing Reference Guide

ULTRA KLEEN

E-Z KLEEN

Extreme Duty

Setscrew Ball Bearing

GRIP TIGHT

D-LOK Ball Bearing

# SELECTION/DIMENSIONS



## GRIP TIGHT Adapter Ball Bearings GT NORMAL DUTY WIDE SLOT TAKE-UP BEARINGS

Bearing Reference Guide

ULTRA KLEEN

E-Z KLEEN

Extreme Duty

Setscrew Ball Bearing

GRIP TIGHT

D-LOK Ball Bearing

Series	Shaft Size	Weight lbs kg	Take-Up Frame Size	A	B	C	D	E	F Screw Dia.	G	H	J	K	L	M	N	R#	S#	T	Z
204	3/4	1.9	WS300	1.48	3.69	0.531	2.00	2.38	5/8	0.38	0.63	2.00	1.25	1.50	2.985/3.015	3.63	0.46	1.02	1.38	1.03
	20mm	0.9		37.6	93.7	13.49	50.8	60.5	15.9	9.7	16.0	50.8	31.8	38.1	75.82/76.58	92.2	11.7	25.9	35.1	26.2
205	7/8	2.2	WS300	1.46	3.81	0.531	2.00	2.44	5/8	0.38	0.63	2.00	1.31	1.80	2.985/3.015	3.63	0.48	0.98	1.38	1.00
	15/16	2.1		37.1	96.8	13.49	50.8	62.0	15.9	9.7	16.0	50.8	33.3	45.7	75.82/76.58	92.2	12.2	24.9	35.1	25.4
	1	2.0		25mm	1.0	37.1	96.8	13.49	50.8	62.0	15.9	9.7	16.0	50.8	33.3	45.7	75.82/76.58	92.2	12.2	24.9
206	1-1/8	2.7	WS308	1.61	4.38	0.531	2.25	2.75	3/4	0.38	0.63	2.19	1.44	2.08	3.480/3.510	4.13	0.52	1.09	1.63	1.13
	1-3/16	2.6		40.9	111.3	13.49	57.2	69.9	19.1	9.7	16.0	55.6	36.6	52.8	88.39/89.15	104.9	13.2	27.7	41.3	28.7
	1-1/4	2.5		30mm	1.3	40.9	111.3	13.49	57.2	69.9	19.1	9.7	16.0	55.6	36.6	52.8	88.39/89.15	104.9	13.2	27.7
207	1-1/4	3.7	WS308	1.62	4.87	0.531	2.50	3.06	3/4	0.50	0.63	2.50	1.44	2.38	3.480/3.510	4.13	0.54	1.08	1.63	1.14
	1-3/8	3.6		41.1	123.7	13.49	63.5	77.7	19.1	12.7	16.0	63.5	36.6	60.5	88.39/89.15	104.9	13.7	27.4	41.3	29.0
	1-7/16	3.5		35mm	1.6	41.1	123.7	13.49	63.5	77.7	19.1	12.7	16.0	63.5	36.6	60.5	88.39/89.15	104.9	13.7	27.4
208	1-1/2	6.1	WS400	1.84	5.69	0.688	3.25	3.50	1	0.63	0.75	3.25	1.94	2.62	3.985/4.015	4.50	0.61	1.23	1.94	1.23
	1-5/8	5.9		46.7	144.5	17.48	82.6	88.9	25.4	16.0	19.1	82.6	49.3	66.5	101.22/101.98	114.3	15.5	31.2	49.3	31.2
	40mm	2.8		46.7	144.5	17.48	82.6	88.9	25.4	16.0	19.1	82.6	49.3	66.5	101.22/101.98	114.3	15.5	31.2	49.3	31.2

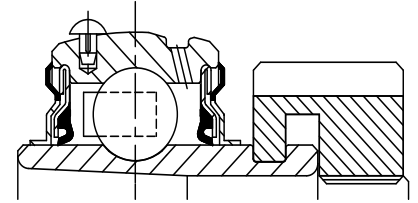
#R & S dimensions will vary slightly depending on true shaft diameter.

FEATURES/BENEFITS PAGE B5-2	HOW TO ORDER/NOMENCLATURE PAGE B5-4	SELECTION PAGE B5-5	RELATED PRODUCTS PAGE B5-70
--------------------------------	--	------------------------	--------------------------------

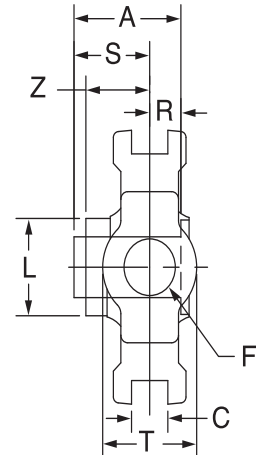
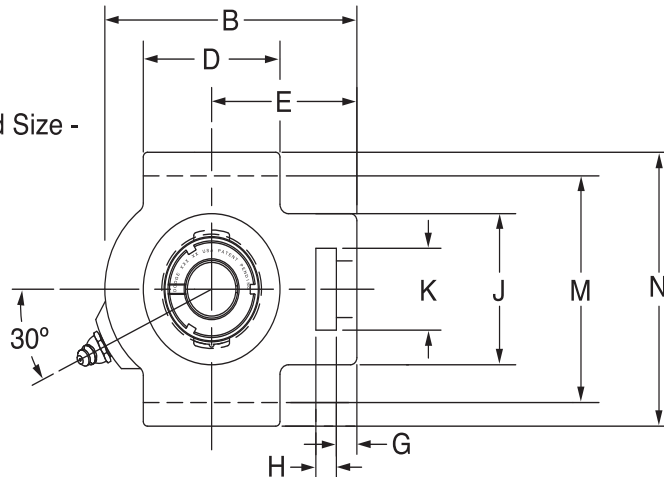


# SELECTION/DIMENSIONS

## GRIP TIGHT Adapter Ball Bearings GT NORMAL DUTY WIDE SLOT TAKE-UP BEARINGS



Lube Fitting Thread Size -  
1/8 - 27 NPT



Series	Shaft Size	Complete Unit		Unit without Adapter Sleeve & Lock Nut		Adapter Sleeve & Lock Nut Assembly	
		Part No.	Description	Part No.	Description	Part No.	Description
209	1-5/8	<b>136142</b>	WSTU-GT-110L	<b>136224</b>	WSTU-GT-09	<b>136531</b>	AN-GT-09-110-D
	1-11/16	<b>136143</b>	WSTU-GT-111			<b>136532</b>	AN-GT-09-111-D
	1-3/4	<b>136144</b>	WSTU-GT-112			<b>136533</b>	AN-GT-09-112-D
	45mm	<b>136252</b>	WSTU-GT-45M			<b>136557</b>	AN-GT-09-45M-D
210	1-15/16	<b>136145</b>	WSTU-GT-115	<b>136225</b>	WSTU-GT-10	<b>136534</b>	AN-GT-10-115-D
	2	<b>136146</b>	WSTU-GT-200			<b>136535</b>	AN-GT-10-200-D
	50mm	<b>136253</b>	WSTU-GT-50M			<b>136558</b>	AN-GT-10-50M-D
211	2	<b>136178</b>	WSTU-GTM-200	<b>136226</b>	WSTU-GT-11	<b>136600</b>	AN-GTM-11-200-D
	2-3/16	<b>136147</b>	WSTU-GT-203			<b>136536</b>	AN-GT-11-203-D
	2-1/4	<b>136148</b>	WSTU-GT-204			<b>136537</b>	AN-GT-11-204-D
	55mm	<b>136254</b>	WSTU-GT-55M			<b>136559</b>	AN-GT-11-55M-D
212	2-1/4	<b>136180</b>	WSTU-GTM-204	<b>136227</b>	WSTU-GT-12	<b>136601</b>	AN-GTM-12-204-D
	2-7/16	<b>136149</b>	WSTU-GT-207			<b>136538</b>	AN-GT-12-207-D
	60mm	<b>136255</b>	WSTU-GT-60M			<b>136594</b>	AN-GT-12-60M-D
214	2-1/2	<b>136182</b>	WSTU-GTM-208	<b>136228</b>	WSTU-GT-14	<b>136548</b>	AN-GTM-14-208-D
	2-11/16	<b>136150</b>	WSTU-GT-211			<b>136539</b>	AN-GT-14-211-D
	70mm	<b>163256</b>	WSTU-GT-70M			<b>136560</b>	AN-GT-14-70M-D
215	2-15/16	<b>136151</b>	WSTU-GT-215	<b>136229</b>	WSTU-GT-15	<b>136540</b>	AN-GT-15-215-D
	3	@	WSTU-GT-300			<b>136595</b>	AN-GT-15-300-D
	75mm	<b>136257</b>	WSTU-GT-75M			<b>136596</b>	AN-GT-15-75M-D

@ Assembled to order

FEATURES/BENEFITS PAGE B5-2	HOW TO ORDER/NOMENCLATURE PAGE B5-4	SELECTION PAGE B5-5	RELATED PRODUCTS PAGE B5-70
--------------------------------	--	------------------------	--------------------------------

# SELECTION/DIMENSIONS



## GRIP TIGHT Adapter Ball Bearings GT NORMAL DUTY WIDE SLOT TAKE-UP BEARINGS

Bearing Reference Guide

ULTRA KLEEN

E-Z KLEEN

Extreme Duty

Setscrew Ball Bearing

GRIP TIGHT

D-LOK Ball Bearing

Series	Shaft Size	Wgt. lbs kg	Take-Up Frame Size	A	B	C	D	E	F Screw Dia.	G	H	J	K	L	M	N	R#	S#	T	Z	
209	1-5/8	6.1	WS400	1.85	5.63	0.688	3.25	3.44	1	0.63	0.75	3.25	1.94	2.86	3.985/4.015	4.75	0.62	1.23	1.94	1.26	
	1-11/16	6.0		47.0	143.0	17.48	82.6	87.4	25.4	16.0	19.1	82.6	49.3	72.6	101.22/101.98	120.7	15.7	31.2	49.3	32.0	
	1-3/4	5.9																			
	45mm	2.7																			
210	1-15/16	6.4	WS400	1.86	5.82	0.688	3.38	3.56	1	0.63	0.75	3.25	1.94	3.13	3.985/4.015	4.75	0.63	1.23	1.94	1.26	
	2	6.30		47.2	147.8	17.48	85.9	90.4	25.4	16.0	19.1	82.6	49.3	79.5	101.22/101.98	120.7	16.0	31.2	49.3	32.0	
	50mm	2.90																			
211	2	10.1	WS502	1.93	6.69	1.063	3.75	4.19	1-1/4	0.75	1.00	4.00	2.50	3.43	5.110/5.140	5.88	0.67	1.26	2.50	1.32	
	2-3/16	10.0		49.0	169.9	27.00	95.3	106.4	31.8	19.1	25.4	101.6	63.5	87.1	129.79/130.56	149.4	17.0	32.0	63.5	33.5	
	2-1/4	9.9																			
	55mm	4.5																			
212	2-1/4	11.2	WS502	2.12	7.50	1.063	4.00	4.69	1-1/4	0.75	1.25	4.00	2.50	3.69	5.110/5.140	5.88	0.73	1.39	2.50	1.46	
	2-7/16	10.8		53.8	190.5	27.00	101.6	119.1	31.8	19.1	31.8	101.6	63.5	93.7	129.79/130.56	149.4	18.5	35.3	63.5	37.1	
214	2-1/2	18.0	WS515	2.39	8.56	1.063	4.75	5.38	1-1/2	0.81	1.25	4.38	2.75	4.00	5.923/5.953	6.56	0.84	1.55	2.75	1.58	
	2-11/16	17.8		60.7	217.4	27.00	120.7	136.7	38.1	20.6	31.8	111.3	69.9	101.6	150.44/151.21	166.6	21.3	39.4	69.9	40.1	
215	2-15/16	18.9	WS515	2.46	9.13	1.063	4.75	5.50	1-1/2	0.81	1.25	4.38	2.75	4.44	5.923/5.953	6.69	0.86	1.60	2.75	1.60	
	3	18.7		62.5	231.9	27.00	120.7	139.7	38.1	20.6	31.8	111.3	69.9	112.8	150.44/151.21	169.9	21.8	40.6	69.9	40.6	
75mm	8.6																				

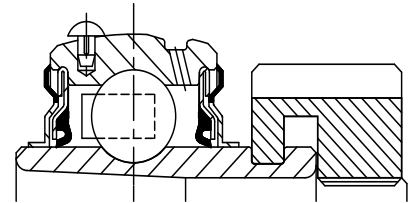
#R & S dimensions will vary slightly depending on true shaft diameter.

FEATURES/BENEFITS PAGE B5-2	HOW TO ORDER/NOMENCLATURE PAGE B5-4	SELECTION PAGE B5-5	RELATED PRODUCTS PAGE B5-70
--------------------------------	--	------------------------	--------------------------------

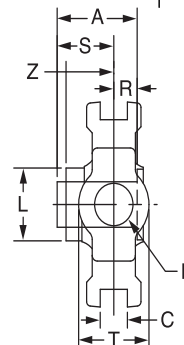
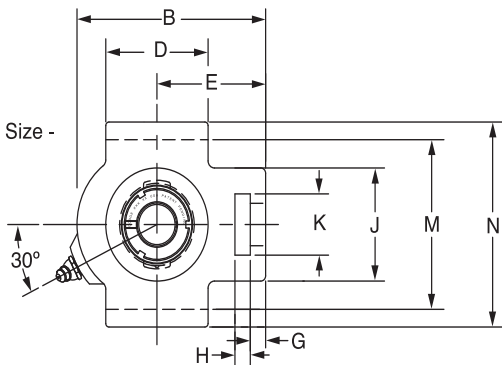


# SELECTION/DIMENSIONS

## GRIP TIGHT Adapter Ball Bearings GTM MEDIUM DUTY WIDE SLOT TAKE-UP BEARINGS



Lube Fitting Thread Size -  
1/8 - 27 NPT



Series	Shaft Size	Complete Unit		Unit without Adapter Sleeve & Lock Nut		Adapter Sleeve & Lock Nut Assembly	
		Part No.	Description	Part No.	Description	Part No.	Description
205	3/4	<b>136170</b>	WSTU-GTM-012	<b>136220</b>	WSTU-GT-05	<b>136597</b>	AN-GTM-05-012-D
206	1 25mm	<b>136171</b>	WSTU-GTM-100	<b>136221</b>	WSTU-GTU-06	<b>136541</b>	AN-GTM-06-100-D
		<b>136303</b>	WSTU-GTM-25M			<b>136561</b>	AN-GTM-06-25M-D
207	1-3/16 1-1/4 30mm	<b>136172</b>	WSTU-GTM-103	<b>136222</b>	WSTU-GT-07	<b>136542</b>	AN-GTM-07-103-D
		<b>136137</b>	WSTU-GT-104			<b>136528</b>	AN-GT-07-104-D
208	1-7/16 35mm	<b>136173</b>	WSTU-GTM-107	<b>136223</b>	WSTU-GT-08	<b>136543</b>	AN-GTM-08-107-D
		<b>136305</b>	WSTU-GTM-35M			<b>136563</b>	AN-GTM-08-35M-D
209	1-1/2 40mm	<b>136174</b>	WSTU-GTM-108	<b>136224</b>	WSTU-GT-09	<b>136598</b>	AN-GTM-09-108-D
		<b>136306</b>	WSTU-GTM-40M			<b>136564</b>	AN-GTM-09-40M-D
210	1-11/16 1-3/4 45mm	<b>136175</b>	WSTU-GTM-111	<b>136225</b>	WSTU-GT-10	<b>136544</b>	AN-GTM-10-111-D
		<b>136176</b>	WSTU-GTM-112			<b>136599</b>	AN-GTM-10-112-D
211	1-15/16 2 50mm	<b>136177</b>	WSTU-GTM-115	<b>136226</b>	WSTU-GT-11	<b>136545</b>	AN-GTM-11-115-D
		<b>136178</b>	WSTU-GTM-200			<b>136600</b>	AN-GTM-11-200-D
212	2-3/16 2-1/4 55mm	<b>136179</b>	WSTU-GTM-203	<b>136227</b>	WSTU-GT-12	<b>136546</b>	AN-GTM-12-203-D
		<b>136180</b>	WSTU-GTM-204			<b>136601</b>	AN-GTM-12-204-D
214	2-7/16 2-1/2 65mm	<b>136181</b>	WSTU-GTM-207	<b>136228</b>	WSTU-GT-14	<b>136547</b>	AN-GTM-14-207-D
		<b>136182</b>	WSTU-GTM-208			<b>136548</b>	AN-GTM-14-208-D
215	2-11/16 70mm	<b>136183</b>	WSTU-GTM-211	<b>136229</b>	WSTU-GT-15	<b>136549</b>	AN-GTM-15-211-D
		<b>136311</b>	WSTU-GTM-70M			<b>136569</b>	AN-GTM-15-70M-D
216	2-15/16 3 75mm	<b>136184</b>	WSTU-GTM-215	<b>136230</b>	WSTU-GT-16	<b>136550</b>	AN-GTM-16-215-D
		<b>136185</b>	WSTU-GTM-300			<b>136551</b>	AN-GTM-16-300-D
		<b>136312</b>	WSTU-GTM-75M			<b>136570</b>	AN-GTM-16-75M-D

@ Assembled to order

FEATURES/BENEFITS PAGE B5-2	HOW TO ORDER/NOMENCLATURE PAGE B5-4	SELECTION PAGE B5-5	RELATED PRODUCTS PAGE B5-70
--------------------------------	--	------------------------	--------------------------------

# SELECTION/DIMENSIONS



## GRIP TIGHT Adapter Ball Bearings GTM MEDIUM DUTY WIDE SLOT TAKE-UP BEARINGS

Bearing Reference Guide

ULTRA KLEEN

E-Z KLEEN

Extreme Duty

Setscrew Ball Bearing

GRIP TIGHT

D-LOK Ball Bearing

Series	Shaft Size	Weight lbs kg	Take-Up Frame Size	A	B	C	D	E	F Screw Dia.	G	H	J	K	L	M	N	R#	S#	T	Z
205	3/4	2.7	WS300	1.46 37.1	3.81 96.8	0.531 13.49	2.00 50.8	2.44 62.0	5/8 15.9	0.38 9.7	0.63 16.0	2.00 50.8	1.31 33.3	1.80 45.7	2.985/3.015 75.82/76.58	3.63 92.2	0.48 12.2	0.98 24.9	1.38 35.1	1.00 25.4
206	1 25mm	4.1 1.3	WS308	1.61 40.9	4.38 111.3	0.531 13.49	2.25 57.2	2.75 69.9	3/4 19.1	0.38 9.7	0.63 16.0	2.19 55.6	1.44 36.6	2.08 52.8	3.480/3.510 88.39/89.15	4.13 104.9	0.52 13.2	1.09 27.7	1.63 41.3	1.13 28.7
207	1-3/16 1-1/4 30mm	5.1 3.7	WS308	1.62 41.1	4.87 123.7	0.531 13.49	2.50 63.5	3.06 77.7	3/4 19.1	0.50 12.7	0.63 16.0	2.50 63.5	1.44 36.6	2.38 60.5	3.480/3.510 88.39/89.15	4.13 104.9	0.54 13.7	1.08 27.4	1.63 41.3	1.14 29.0
208	1-7/16 35mm	7.3 3.5	WS400	1.84 46.7	5.69 144.5	0.688 17.48	3.25 82.6	3.50 88.9	1 25.4	0.63 16.0	0.75 19.1	3.25 82.6	1.94 49.3	2.62 66.5	3.985/4.015 101.22/101.98	4.50 114.3	0.61 15.5	1.23 31.2	1.94 49.3	1.23 31.2
209	1-1/2 40mm	7.2 6.1	WS400	1.85 47.0	5.63 143.0	0.688 17.48	3.25 82.6	3.44 87.4	1 25.4	0.63 16.0	0.75 19.1	3.25 82.6	1.94 49.3	2.86 72.6	3.985/4.015 101.22/101.98	4.75 120.7	0.62 15.7	1.23 31.2	1.94 49.3	1.26 32.0
210	1-11/16 1-3/4 45mm	7.7 7.6	WS400	1.86 47.2	5.82 147.8	0.688 17.48	3.38 85.9	3.56 90.4	1 25.4	0.63 16.0	0.75 19.1	3.25 82.6	1.94 49.3	3.13 79.5	3.985/4.015 101.22/101.98	4.75 120.7	0.63 16.0	1.23 31.2	1.94 49.3	1.26 32.0
211	1-15/16 2 50mm	11.2 11.3	WS502	1.93 49.0	6.69 169.9	1.063 27.00	3.75 95.3	4.19 106.4	1-1/4 31.8	0.75 19.1	1.00 25.4	4.00 101.6	2.50 63.5	3.43 87.1	5.110/5.140 129.79/130.56	5.88 149.4	0.67 17.0	1.26 32.0	2.50 63.5	1.32 33.5
212	2-3/16 2-1/4 55mm	12.6 12.4	WS502	2.12 53.8	7.50 190.5	1.063 27.00	4.00 101.6	4.69 119.1	1-1/4 31.8	0.75 19.1	1.25 31.8	4.00 101.6	2.50 63.5	3.69 93.7	5.110/5.140 129.79/130.56	5.88 149.4	0.73 18.5	1.39 35.3	2.50 63.5	1.46 37.1
214	2-7/16 2-1/2 65mm	19.4 19.20 9.3	WS515	2.39 60.7	8.56 217.4	1.063 27.00	4.75 120.7	5.38 136.7	1-1/2 38.1	0.81 20.6	1.25 31.8	4.38 111.3	2.75 69.9	4.00 101.6	5.923/5.953 150.44/151.21	6.56 166.6	0.84 21.3	1.55 39.4	2.75 69.9	1.58 40.1
215	2-11/16 70mm	20.2 8.3	WS515	2.46 62.5	9.13 231.9	1.063 27.00	4.75 120.7	5.50 139.7	1-1/2 38.1	0.81 20.6	1.25 31.8	4.38 111.3	2.75 69.9	4.44 112.8	5.923/5.953 150.44/151.21	6.69 169.9	0.86 21.8	1.60 40.6	2.75 69.9	1.60 40.6
216	2-15/16 3 75mm	22.9 9.1	WS608	2.70 68.6	9.13 231.9	1.063 27.00	4.75 120.7	2.38 60.5	1-1/2 38.1	0.81 20.6	1.25 31.8	4.38 111.3	2.75 69.9	4.69 119.1	6.485/6.515 164.72/165.48	7.25 184.2	0.89 22.6	1.81 46.0	2.75 69.9	1.78 45.2

#R & S dimensions will vary slightly depending on true shaft diameter.

FEATURES/BENEFITS PAGE B5-2	HOW TO ORDER/NOMENCLATURE PAGE B5-4	SELECTION PAGE B5-5	RELATED PRODUCTS PAGE B5-70
--------------------------------	--	------------------------	--------------------------------